

# MC9090-G

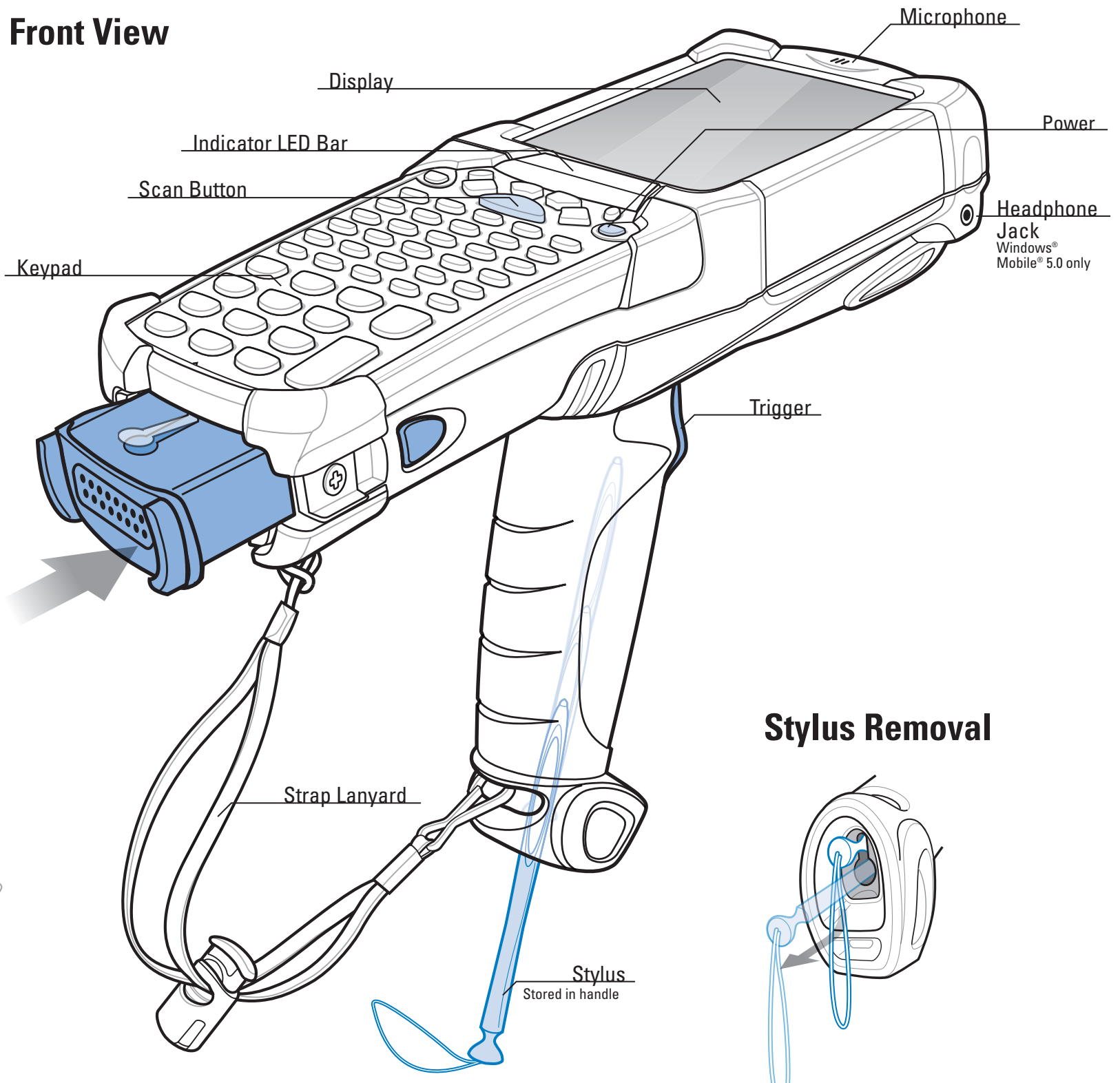
## Quick Start Guide

<http://www.zebra.com/mc9000>

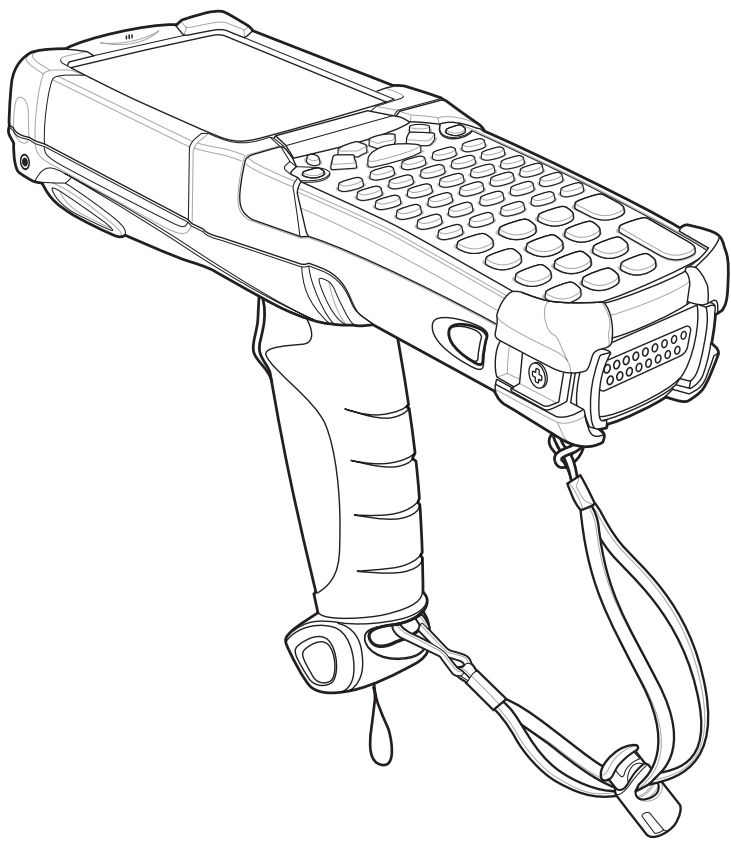
See User Guide for more information

### BATTERY INSERTION

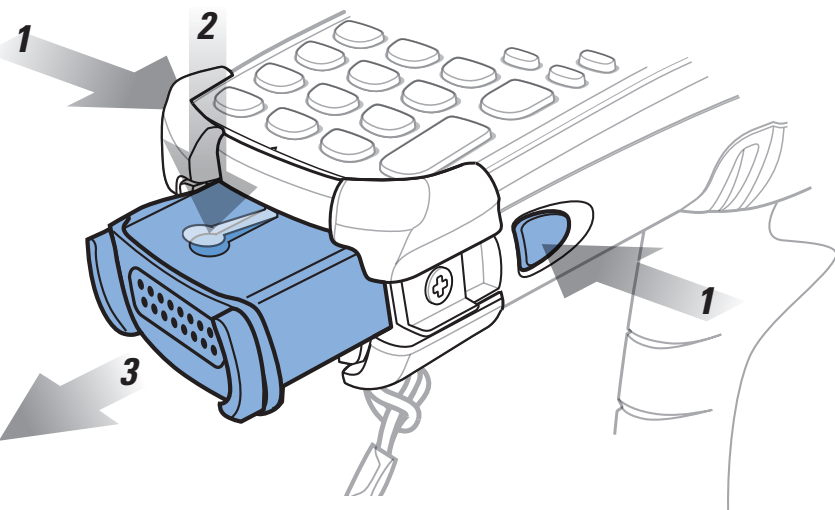
#### Front View



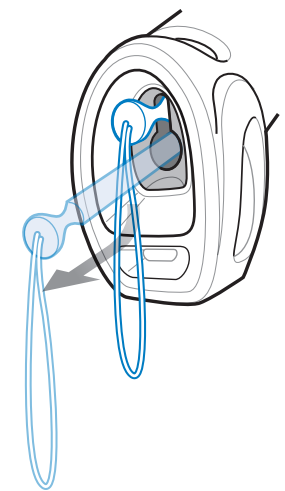
POST IN WORK AREA



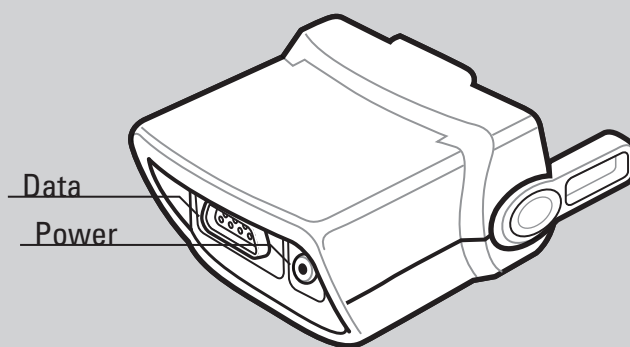
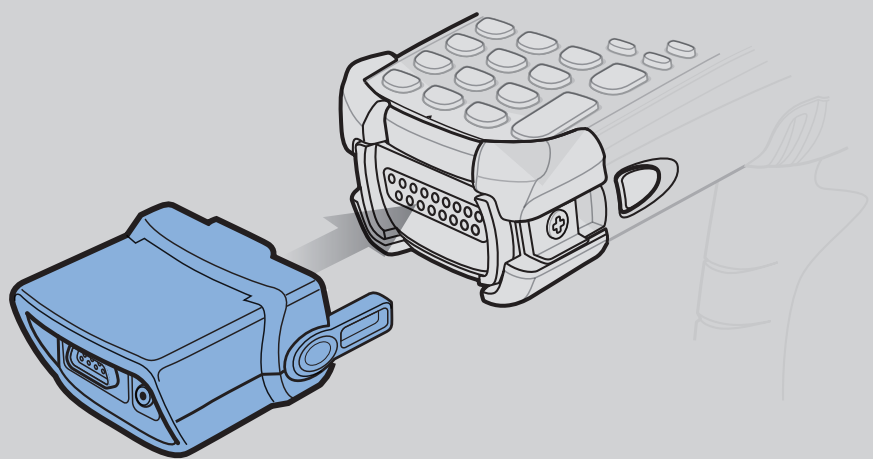
#### Battery Removal



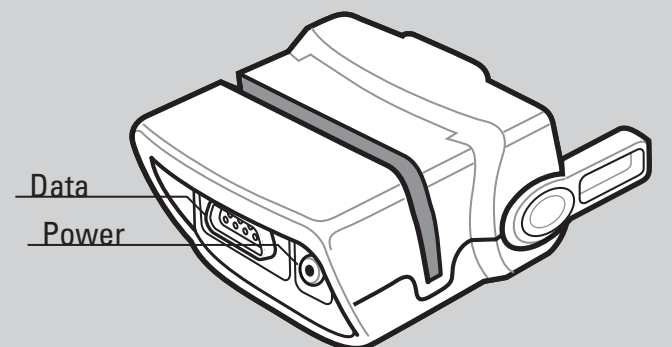
#### Stylus Removal



### SNAP-ON ACCESSORY INSTALLATION



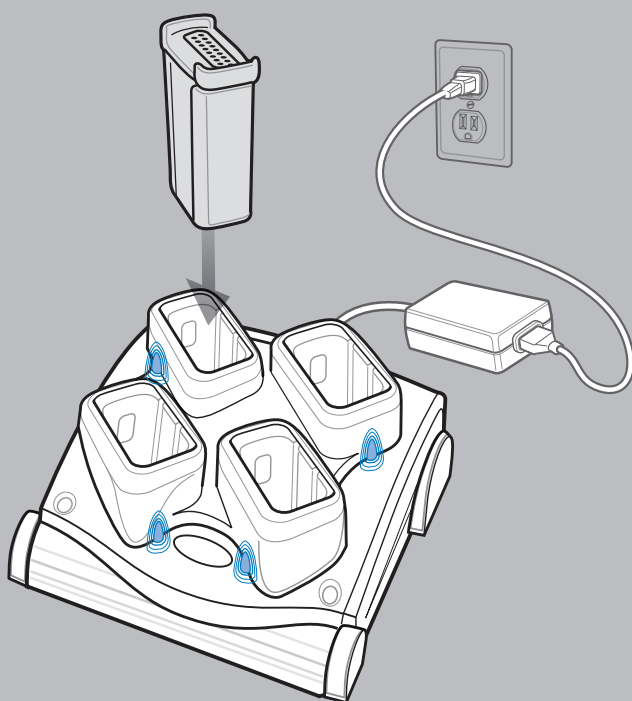
Cable Adapter Module



Magnetic Stripe Reader

### CHARGING INSTRUCTIONS

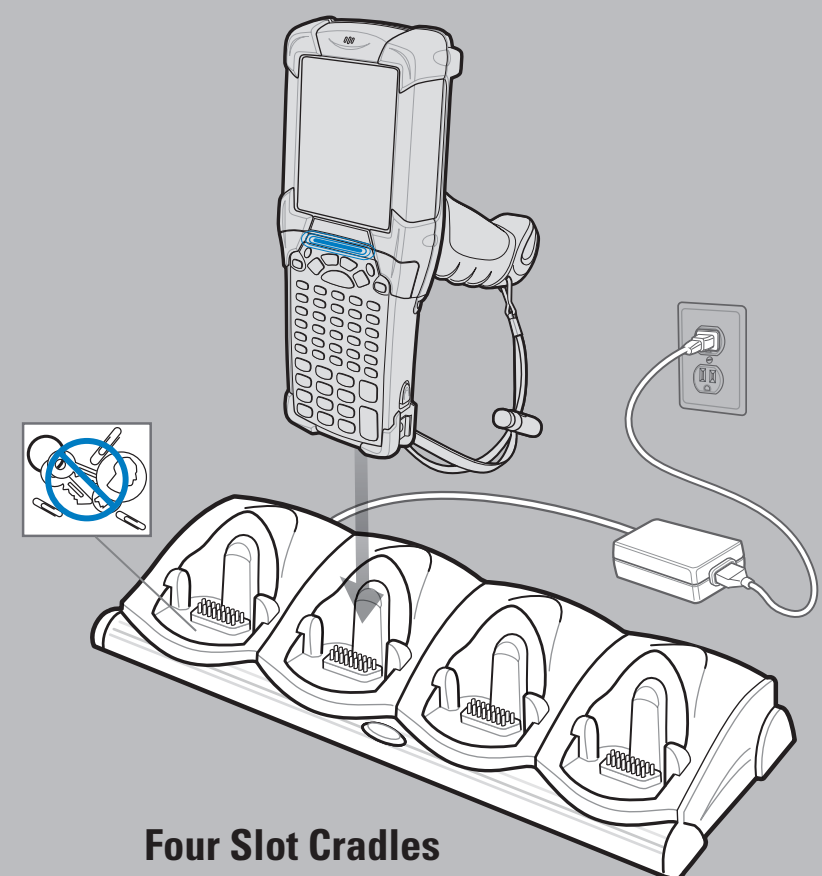
⦿ = LED Indicator Location    Slow Flash = Normal Charge    Solid Amber = Full Charge    Fast Flash = Charging Error



Four Slot Spare Battery Charger

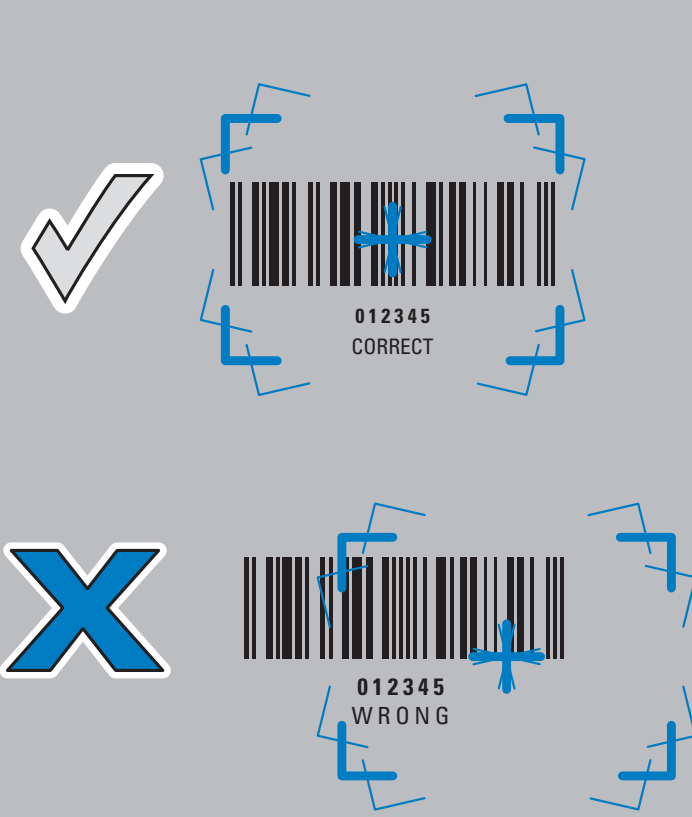
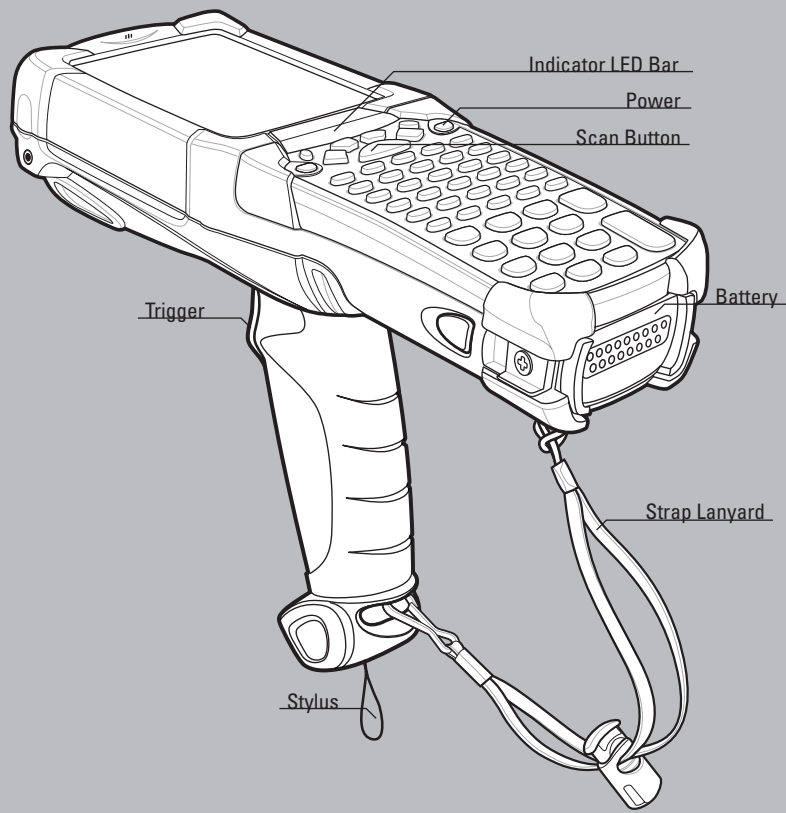


Single Slot Serial/USB Cradle

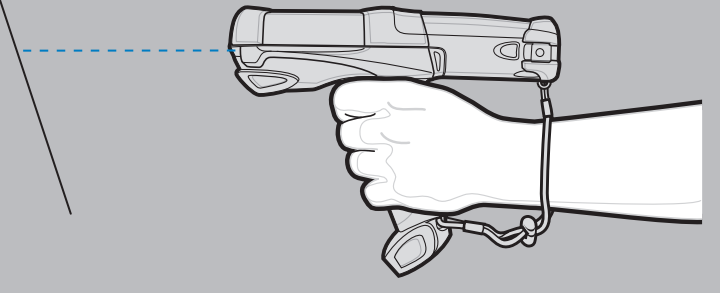


Four Slot Cradles  
Charge-Only Cradle and Ethernet Cradle

# OPTIMUM IMAGING AND SCANNING POSITIONS

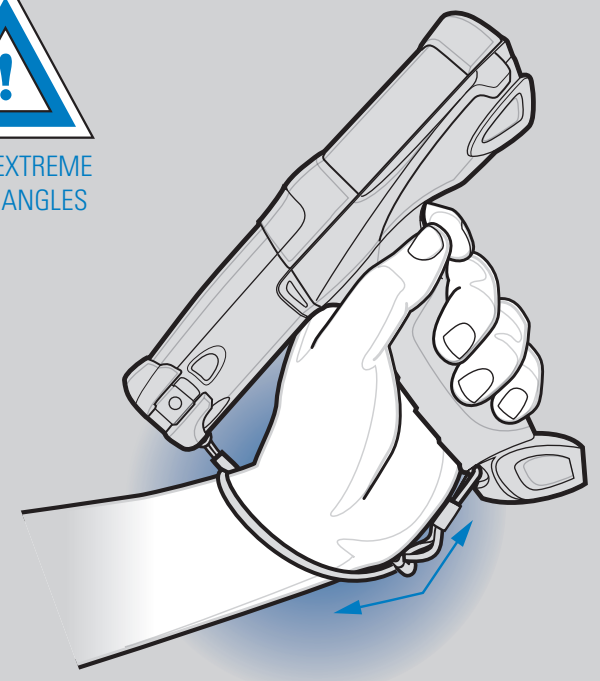
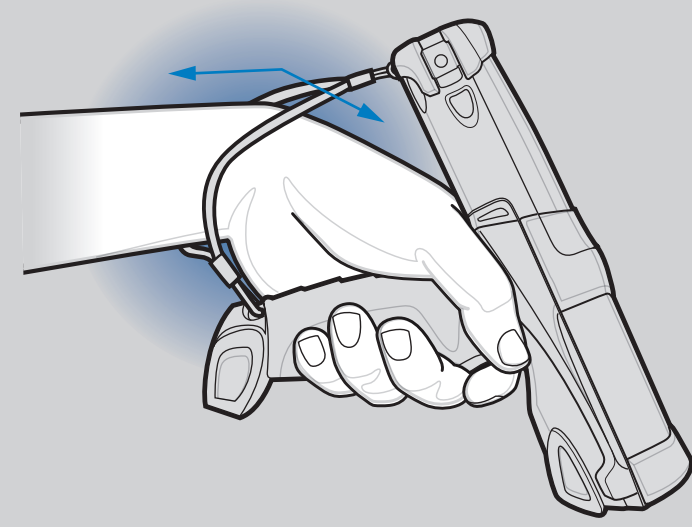


Scanning/Imaging



## OPTIMUM UPRIGHT BODY POSTURE

## AVOID EXTREME WRIST ANGLES



ALTERNATE LEFT AND RIGHT HANDS  
TAKING BREAKS AND TASK ROTATION RECOMMENDED

## OPTIMUM BODY POSTURE

### Low Scanning

Alternate left and right knees



Alternate left and right hands



### High Scanning

Use a ladder



Taking breaks and task rotation recommended



Lincolnshire, IL U.S.A.  
Zebra and the Zebra head graphic are registered trademarks of ZIH Corp. The Symbol logo is a registered trademark of Symbol Technologies, Inc., a Zebra Technologies company. © 2015 Symbol Technologies, Inc.



72-72217-03 Rev. A - March 2015

<http://www.zebra.com/mc9000>